

# HL138

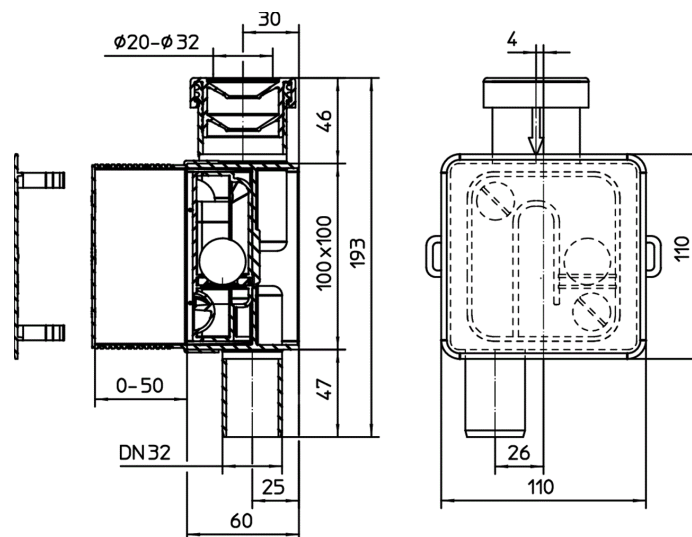
In-wall siphon for condensate water for air conditioners DN32 - 100x100mm



Flush mounted stench trap for air condition condensate water for drainage of condensate water to the sewer. Cleanable cartridge, which is save against running dry. Connectable to pipes and tubes from  $\varnothing 20 - 32$  mm (Minimum inner diameter continuous 18mm). Lot cover, which is adjustable by cutting to the installation depth. Minimum installation depth 60mm.



## techn. drawing



## TECHNICAL DATA

<b>material</b>	PP/ABS	<b>installation height</b>
<b>dimension</b>	DN32	<b>grate frame</b>
<b>capacity</b>	120 l/h	<b>grate</b>
<b>weight</b>	0,28	<b>load class</b>

EAN

9003076030705

inlet

Ø 20 - 30 mm

standards

DIN19541

## MAIN DATA

### spare parts



**HL01096D**

Gasket 20-32mm for HL138



**HL01097D**

2 x Gasket for cartridge of HL138 15-22mm



**HL0138.1E**

Lot cover



**HL0138.2E**

Cover plate



**HL0138.3E**

siphon cartridge



**HL01097D**

2 x Gasket for cartridge of HL138 15-22mm



**HL138K**

Drain body for in-wall siphon for condensate water/ 100x100mm



**HL01096D**

Gasket 20-32mm for HL138

### attachment



**HL0138.HE**

Hygienic adapter for HL138

### Alternatives



**HL138H**

In-wall siphon for condensate water with hygienic adapter

## PACKAGING DATA

### PE-bag

unit	1 [pcs.]
weight	0,286 [kg]
EAN/pack.	9003076030705
height/width/depth	120/120/200 [mm]
volume	0 [m <sup>3</sup> ]

### carton

unit	10 [pcs.]
------	-----------

<b>weight</b>	3,223 [kg]
<b>EAN/pack.</b>	9003076030996
<b>height/width/depth</b>	320/250/410 [mm]
<b>volume</b>	0,006402 [m <sup>3</sup> ]

#### single use pallet

<b>unit</b>	450 [pcs.]
<b>weight</b>	155,5 [kg]
<b>EAN/pack.</b>	
<b>height/width/depth</b>	1800/800/1250 [mm]
<b>volume</b>	1,728 [m <sup>3</sup> ]

#### DOWNLOADS

<b>Foto Print</b>	<b><a href="#">HL138_pr.tif</a></b>	max.
<b>Foto Web</b>	<b><a href="#">HL138_B.jpg</a></b>	640x480/300dpi
<b>Foto Symbol</b>	<b><a href="#">HL138_gr.jpg</a></b>	150x150/72dpi
<b>techn. drawing</b>	<b><a href="#">HL138_a.pdf</a></b>	pdf
<b>CAD</b>	<b><a href="#">HL138_2_a.dxf</a></b>	dxf
<b>example of use</b>	<b><a href="#">HL138_PZ.pdf</a></b>	pdf