



HEAT RECOVERY AIR HANDLING UNIT



Freshbox 100

EN

USER'S MANUAL



BLAUBERG
Ventilatoren

CONTENTS

| | |
|---|----|
| Safety requirements..... | 2 |
| Purpose..... | 4 |
| Delivery set..... | 4 |
| Designation key..... | 4 |
| Technical data..... | 5 |
| Unit design and operating principle..... | 6 |
| Installation and set-up..... | 7 |
| Connection to power mains | 11 |
| Unit control | 12 |
| Technical maintenance..... | 16 |
| Troubleshooting..... | 17 |
| Storage and transportation regulations..... | 17 |
| Manufacturer's warranty | 18 |
| Certificate of acceptance..... | 19 |
| Seller information..... | 19 |
| Installation certificate..... | 19 |
| Warranty card..... | 19 |

This user's manual is a main operating document intended for technical, maintenance, and operating staff.

The manual contains information about purpose, technical details, operating principle, design, and installation of the Freshbox 100 unit and all its modifications.

Technical and maintenance staff must have theoretical and practical training in the field of ventilation systems and should be able to work in accordance with workplace safety rules as well as construction norms and standards applicable in the territory of the country.

The information in this user's manual is correct at the time of the document's preparation.

The Company reserves the right to modify the technical characteristics, design, or configuration of its products at any time in order to incorporate the latest technological developments.

No part of this publication may be reproduced, stored in a retrieval system, or transmitted, in any form or by any means in any information search system or translated into any language in any form without the prior written permission of the Company.

SAFETY REQUIREMENTS

- Please read the user's manual carefully prior to installing and operating the unit.
- All user's manual requirements as well as the provisions of all the applicable local and national construction, electrical, and technical norms and standards must be observed when installing and operating the unit.
- The warnings contained in the user's manual must be considered most seriously since they contain vital personal safety information.
- Failure to follow the rules and safety precautions noted in this user's manual may result in an injury or unit damage.
- After a careful reading of the manual, keep it for the entire service life of the unit.
- While transferring the unit control, the user's manual must be turned over to the receiving operator.

UNIT INSTALLATION AND OPERATION SAFETY PRECAUTIONS



- Disconnect the unit from power mains prior to any installation operations.



- The unit must be grounded!



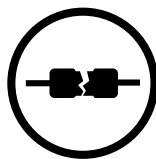
- Do not lay the power cable of the unit in close proximity to heating equipment.



- While installing the unit, follow the safety regulations specific to the use of electric tools.



- Do not change the power cable length at your own discretion. Do not bend the power cable. Avoid damaging the power cable. Do not put any foreign objects on the power cable.



- Do not use damaged equipment or cables when connecting the unit to power mains.



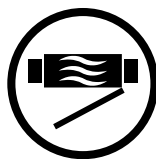
- Do not touch the unit controls with wet hands. Do not carry out the installation and maintenance operations with wet hands.



- Do not allow children to operate the unit.



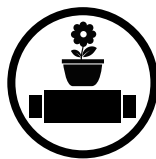
- Do not store any explosive or highly flammable substances in close proximity to the unit.



- Do not open the unit during operation.



- Do not block the air duct when the unit is switched on.



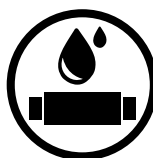
- Do not sit on the unit and avoid placing foreign objects on it.



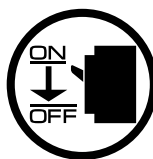
- Unpack the unit with care.



- Do not operate the unit outside the temperature range stated in the user's manual. Do not operate the unit in aggressive or explosive environments.



- Do not wash the unit with water. Protect the electric parts of the unit against ingress of water.



- Disconnect the unit from power mains prior to any technical maintenance.



- When the unit generates unusual sounds, odour, or emits smoke, disconnect it from power supply and contact the Seller.



- Do not direct the air flow produced by the unit towards open flame or ignition sources.



- In case of continuous operation of the unit, periodically check the security of mounting.



- Use the unit only for its intended purpose.



**THE PRODUCT MUST BE DISPOSED SEPARATELY AT THE END OF ITS SERVICE LIFE.
DO NOT DISPOSE THE UNIT AS UNSORTED MUNICIPAL WASTE.**

PURPOSE

Due to the ability to save heating energy by means of energy recovery, the unit is an important element of energy-efficient premises. The unit is a component part and is not designed for stand-alone operation.

The unit is designed to ensure continuous mechanical air exchange in houses, offices, hotels, cafés, conference halls, and other utility and public spaces as well as to recover the heat energy contained in the air extracted from the premises to warm up the filtered stream of supply air.



THE UNIT SHOULD NOT BE OPERATED BY CHILDREN OR PERSONS WITH REDUCED PHYSICAL, MENTAL, OR SENSORY CAPACITIES, OR THOSE WITHOUT THE APPROPRIATE TRAINING. THE UNIT MUST BE INSTALLED AND CONNECTED ONLY BY PROPERLY QUALIFIED PERSONNEL AFTER THE APPROPRIATE BRIEFING. THE CHOICE OF UNIT INSTALLATION LOCATION MUST PREVENT UNAUTHORIZED ACCESS BY UNATTENDED CHILDREN.

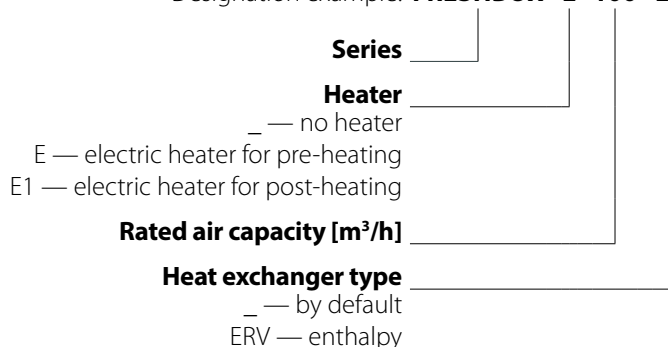
The unit is rated for continuous operation. Transported air must not contain any flammable or explosive mixtures, evaporation of chemicals, sticky substances, fibrous materials, coarse dust, soot and oil particles or environments favourable for the formation of hazardous substances (toxic substances, dust, pathogenic germs).

DELIVERY SET

| NAME | NUMBER |
|-------------------|--------|
| Air handling unit | 1 pc. |
| User's manual | 1 pc. |
| Mounting template | 1 pc. |
| Fastening kit | 1 pc. |
| Magnetic sheet | 1 pc. |
| Key | 1 pc. |
| Spigot | 2 pcs. |
| Packing box | 1 pc. |

DESIGNATION KEY

Designation example: **FRESHBOX E-100 ERV**



TECHNICAL DATA

The unit is designed for indoor application with the ambient temperature ranging from +1 °C up to +40 °C and relative humidity up to 80 %. The unit is rated as a Class I electrical appliance.

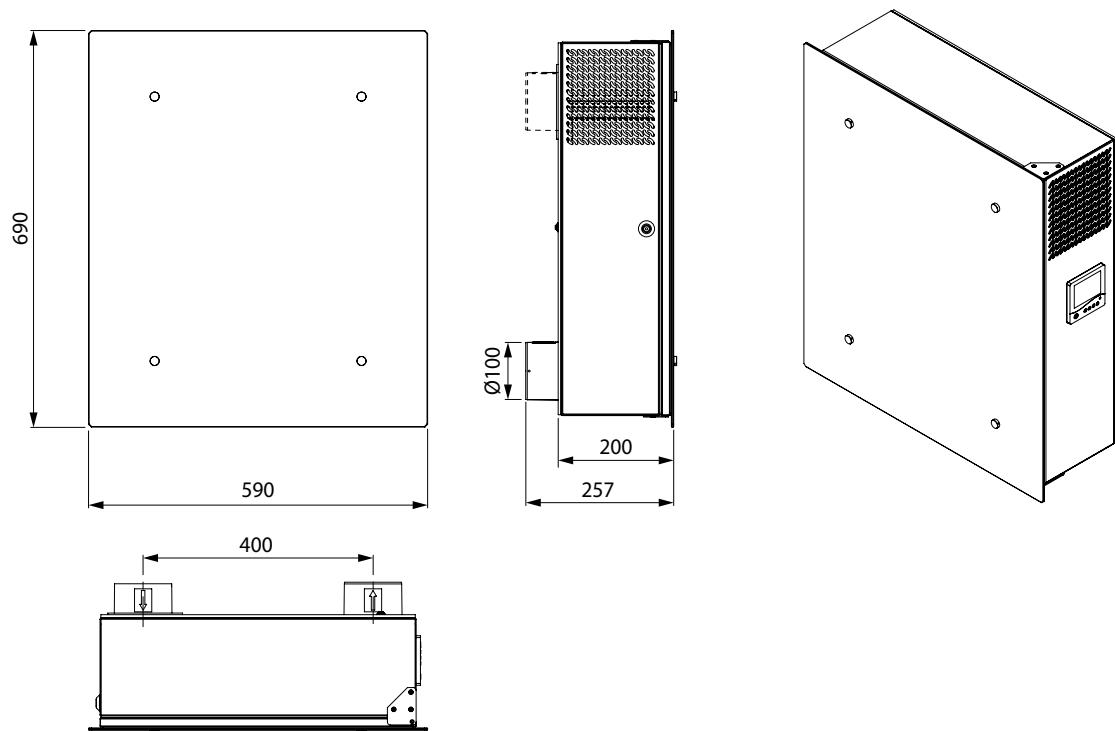
Hazardous parts access and water ingress protection rating:

- IP22 for the assembled unit connected to the air ducts
- IP44 for the unit motors

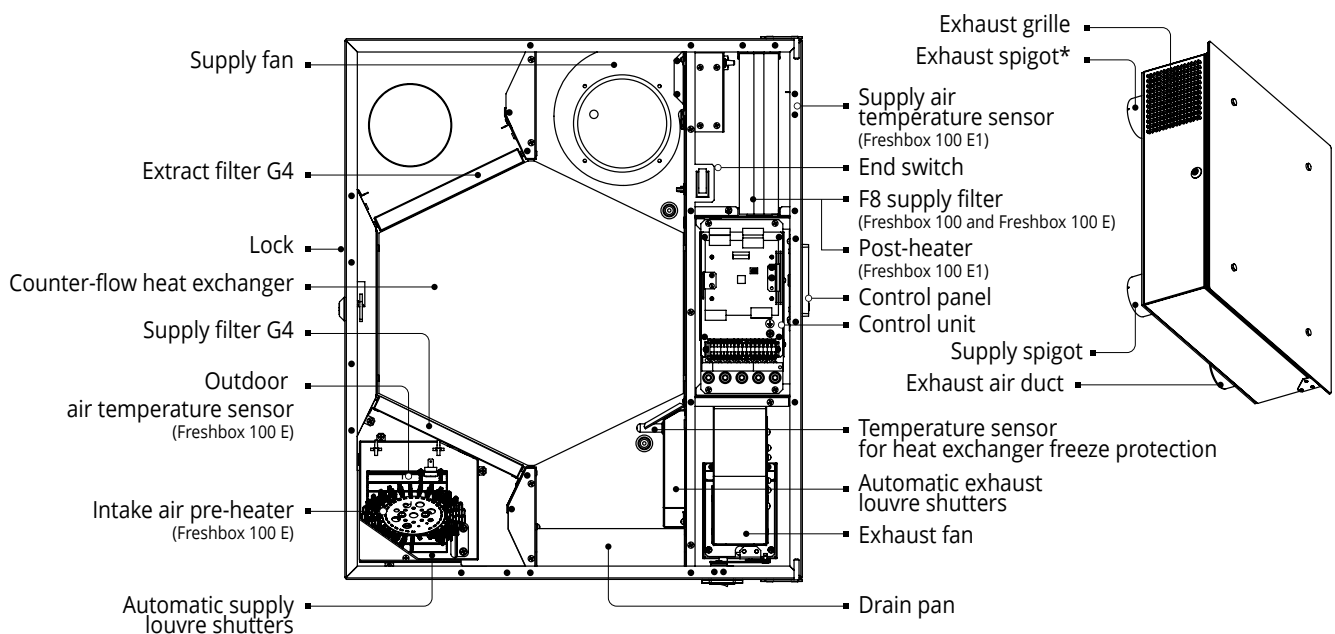
The unit design is constantly being improved, thus some models may be slightly different from those described in this manual.

| TECHNICAL DATA | | Freshbox 100 | | | Freshbox E-100 | | | Freshbox E1-100 | | |
|--|--|----------------------------|----|-----|----------------|----|-----|-----------------|----|-----|
| Maximum air capacity [m ³ /h] | | 30 | 60 | 100 | 30 | 60 | 100 | 30 | 60 | 100 |
| Unit voltage [V / 50 (60) Hz] | | 1 ~ 230 | | | | | | | | |
| Maximum fan power [W] | | 12 | 21 | 45 | 12 | 21 | 45 | 12 | 21 | 45 |
| Sound pressure level at 3 m distance [dB(A)] (Sones) | | 13 | 27 | 39 | 13 | 27 | 39 | 13 | 27 | 39 |
| Electric heater power [W] | | pre-heating | | | 650 | | | - | | |
| | | post-heating | | | - | | | 350 | | |
| Maximum unit current [A] | | without an electric heater | | | 0.35 | | | 0.35 | | |
| | | with an electric heater | | | - | | | 3.08 | | |
| Transported air temperature [°C] | | from -25 up to +50 | | | | | | | | |
| Casing material | | Painted steel | | | | | | | | |
| Insulation | | 10 mm foamed rubber | | | | | | | | |
| Heat recovery efficiency [%] | | 96 | 92 | 87 | 96 | 92 | 87 | 96 | 92 | 87 |
| Heat exchanger type | | Counter-flow | | | | | | | | |
| Heat exchanger material | | Polystyrene | | | | | | | | |
| Supply air filter | | G4, F8 | | | G4, F8 | | | G4 | | |
| Extract air filter | | G4 | | | | | | | | |
| Connected air duct diameter [mm] | | Ø 100 | | | | | | | | |
| Weight [kg] | | 27.6 | | | 28 | | | 27.8 | | |

| TECHNICAL DATA | | Freshbox 100 ERV | | | Freshbox E-100 ERV | | | Freshbox E1-100 ERV | | |
|--|--|----------------------------|-------------|--------------|--------------------|-------------|--------------|---------------------|-------------|--------------|
| Maximum air capacity [m ³ /h] | | 30 | 60 | 100 | 30 | 60 | 100 | 30 | 60 | 100 |
| Unit voltage [V / 50 (60) Hz] | | 1 ~ 110-230 | | | 1 ~ 230 | | | 1 ~ 230 | | |
| Maximum fan power [W] | | 12 | 21 | 45 | 12 | 21 | 45 | 12 | 21 | 45 |
| Sound pressure level at 3 m distance [dB(A)] (Sones) | | 13 (0.25) | 27 (0.5) | 39 (1.75) | 13 (0.25) | 27 (0.5) | 39 (1.75) | 13 (0.25) | 27 (0.5) | 39 (1.75) |
| Electric heater power [W] | | pre-heating | | | 650 | | | - | | |
| | | post-heating | | | - | | | 350 | | |
| Maximum unit current [A] | | without an electric heater | | | 0.35 | | | 0.35 | | |
| | | with an electric heater | | | - | | | 3.08 | | |
| Transported air temperature [°C] | | from -25 up to +50 | | | | | | | | |
| Casing material | | Painted steel | | | | | | | | |
| Insulation | | 10 mm foamed rubber | | | | | | | | |
| Heat recovery efficiency [%] | | 90 | 86 | 80 | 90 | 86 | 80 | 90 | 86 | 80 |
| Heat exchanger type | | Counter-flow | | | | | | | | |
| Heat exchanger material | | Enthalpy membrane | | | | | | | | |
| Supply air filter | | G4, F8 | | | G4, F8 | | | G4, F8 | | |
| Extract air filter | | G4 | | | | | | | | |
| Connected air duct diameter [mm] | | Ø 100 | | | | | | | | |
| Weight [kg] | | 31 | | | 31 | | | 31 | | |



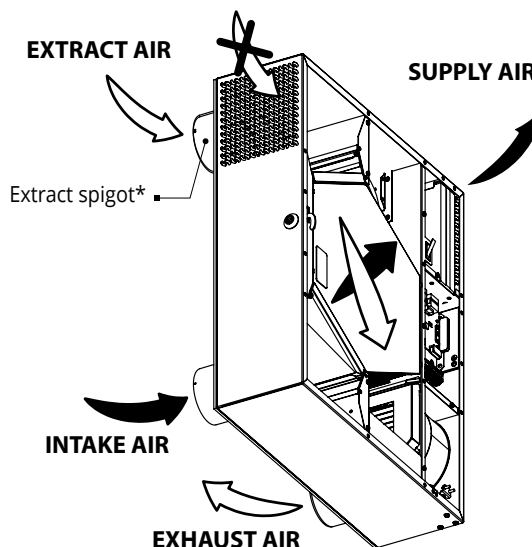
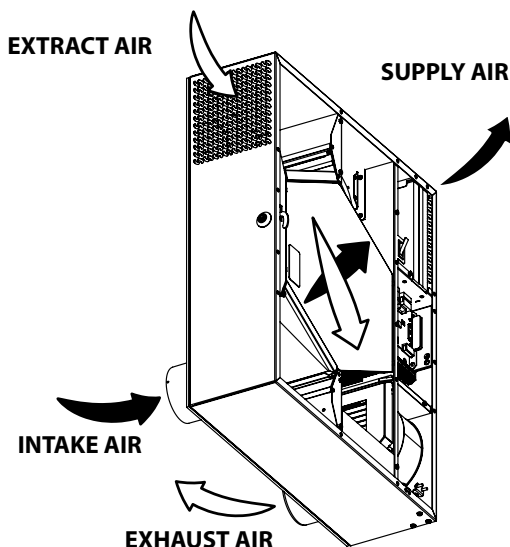
UNIT DESIGN AND OPERATING PRINCIPLE



- Warm stale extract air from the room flows to the unit, where it is filtered by the extract filter, then air flows through the heat exchanger and is exhausted outside by the extract fan.
- Cold fresh air from outside flows into the unit, where it is cleaned by the supply filter. Then filtered air flows through the heat exchanger and is moved to the room with the supply fan.
- Thermal energy of warm extract air is transferred to clean intake fresh air from outside and warms it up. The air flows are fully separated.
- Heat recovery minimizes heat losses, which reduces the cost of space heating in the cold season.
- Depending on the model the unit is equipped with a supply air pre-heater or post-heater with overheating protection.
- The pre-heater is located upstream of the heat exchanger and is designed for its overheating protection.
- The post-heater is located downstream of the heat exchanger and is designed for extra heating of supply air to more comfortable temperature.
- The heaters are switched on and off automatically according to temperature sensor readings.

- The heat exchanger overheating protection in unit models without a pre-heater is achieved by automatic supply fan speed reduction according to extract air sensor readings.
- The extract fan runs at maximum speed.
- Temperature differences between supply and extract air flows in the units with polystyrene heat exchangers lead to condensate formation. Condensate is collected in the drain pan and is removed outside by the drain pipes through the exhaust air duct. Condensate is not forming in the units equipped with an enthalpy heat exchanger as moisture is transferred from one airflow to another through the membrane.
- The louvre shutters open automatically when the motors are switched on and close when the motors are switched off.

*An additional extract spigot can be fitted to the unit to connect the exhaust air duct from additional premises, e.g. a bathroom. The spigot is included in the delivery set.



INSTALLATION AND SET-UP

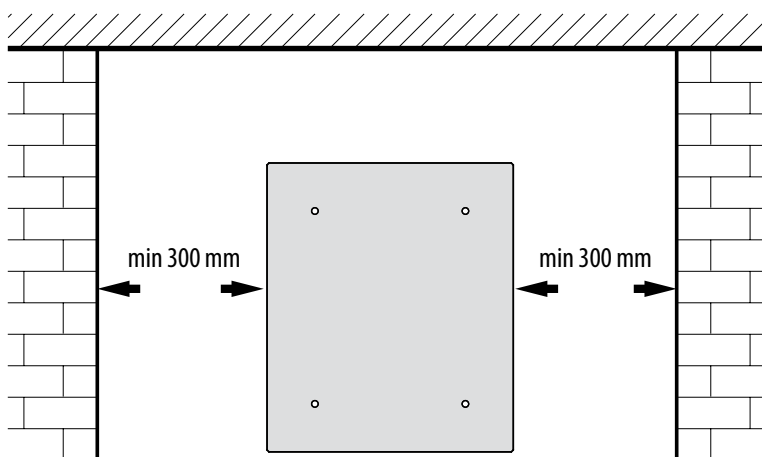


READ THE USER'S MANUAL BEFORE INSTALLING THE UNIT.

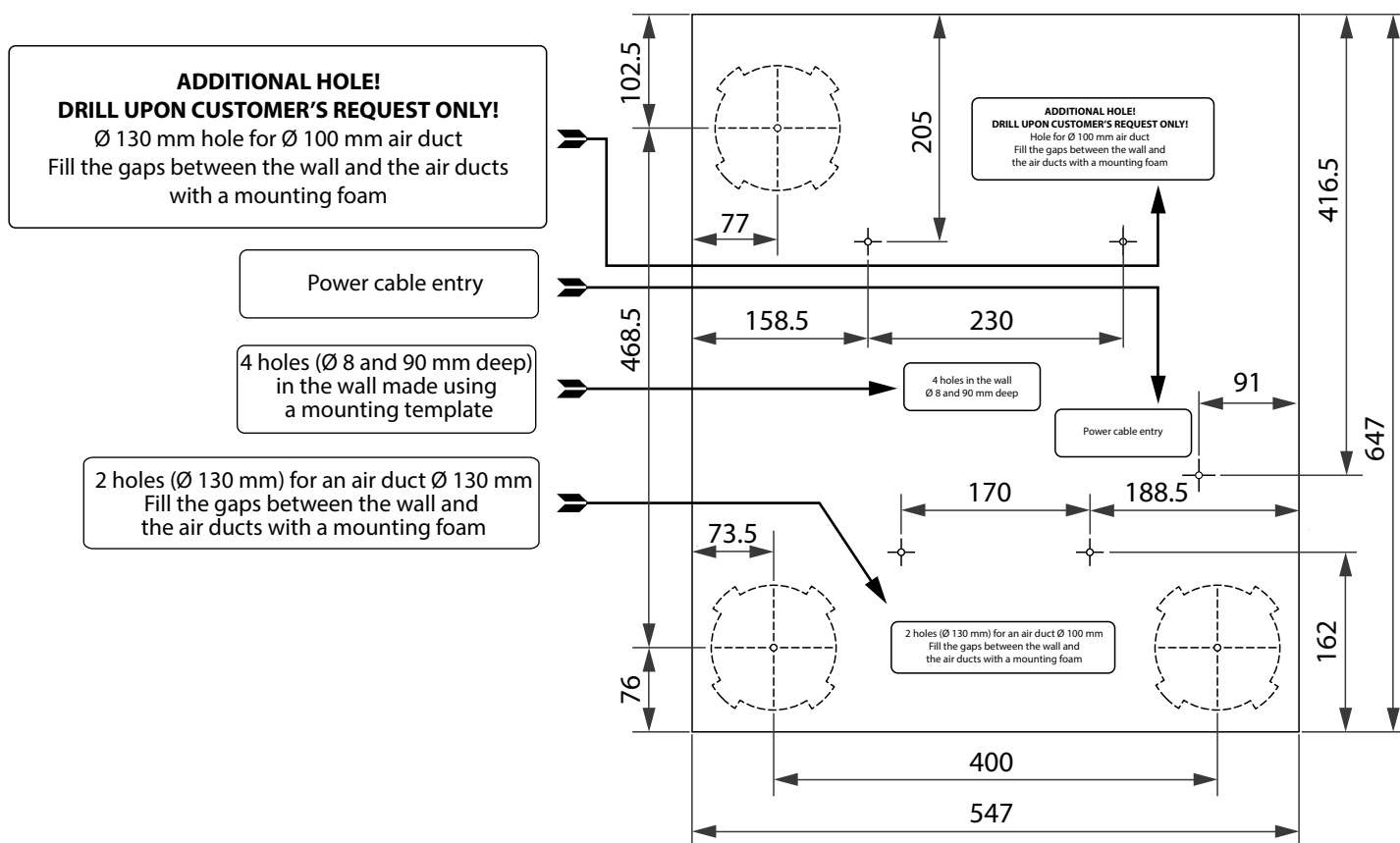


WHILE INSTALLING THE UNIT ENSURE CONVENIENT ACCESS FOR SUBSEQUENT MAINTENANCE AND REPAIR.

Minimum distances from the unit to the surfaces




Mounting template

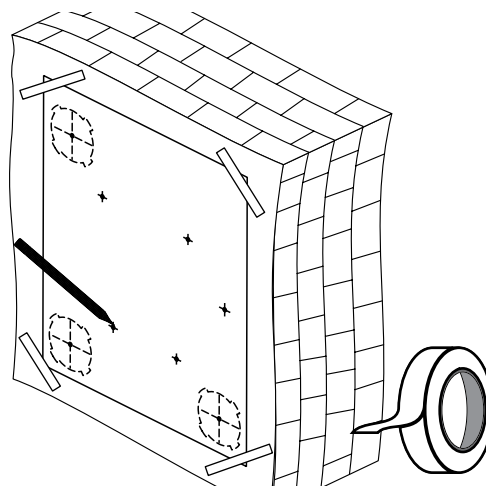


Unit mounting

 **BEFORE MOUNTING MAKE SURE THE CASING DOES NOT CONTAIN ANY FOREIGN OBJECTS (E.G. FOIL, PAPER).**

 **THE UNIT MUST BE MOUNTED ON A PLANE SURFACE. MOUNTING OF THE UNIT TO AN UNEVEN SURFACE CAN LEAD TO THE UNIT CASING DISTORTION AND OPERATION DISTURBANCE.**

1. Mark and drill holes in the wall using a mounting template. Fix the mounting template on the wall with a self-adhesive tape at the required level. Using a mounting template make marks to drill holes for air ducts, for unit mounting and for power cable entry. Before installation operations route necessary cables and wires to the unit mounting place.



2. Remove the mounting template and drill two through holes \varnothing 105 mm for round air ducts.

When mounting the unit with an additional extract spigot prepare a hole in the wall for a connecting bend and for laying of a rectangular air duct.

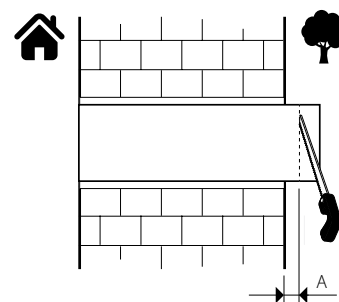
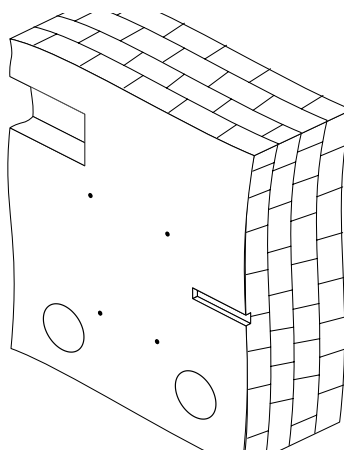
A connecting bend, rectangular and round air ducts are available separately.

Drill holes (\varnothing 8 mm, 90 mm deep) to mount the unit.

Install the expansion anchors, remove the perforated fillers for the air ducts from the mounting template and install the mounting template back using a self-adhesive tape.

Prepare air ducts of required length. Note that the telescopic air duct end must protrude for the distance that enables installation of the outer ventilation hood. For details, refer to the installation instruction for the ventilation hood.

The outer ventilation hood is available separately.



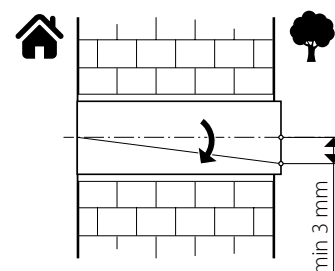
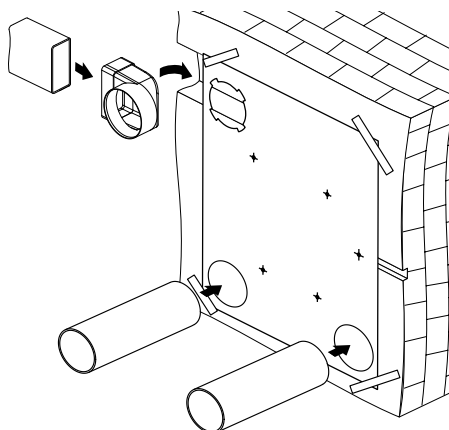
3. Fix the mounting template on the wall.

Insert round air ducts in the corresponding holes of the mounting template.

Install the air duct with the minimum slope of 3° for condensate removal.

To install the unit with an additional spigot insert the connecting bend into the prepared hole in the wall, aligning the mounting template hole with a round end of the connecting bend.

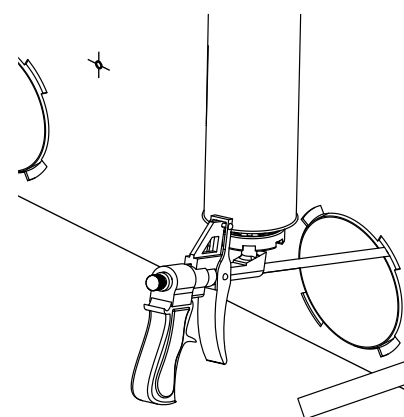
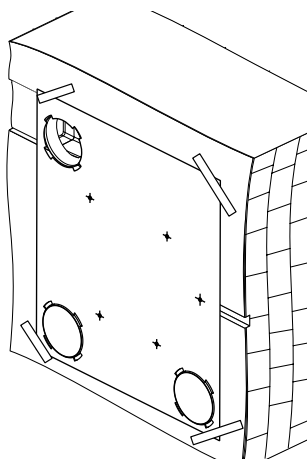
Connect a rectangular duct to the connecting bend.



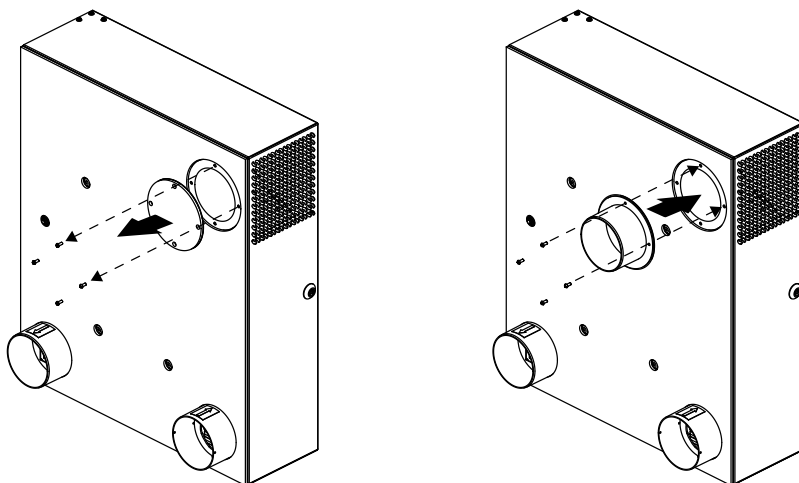
4. Fill the spaces between the air ducts and the wall with a mounting foam through the specially designed holes in the mounting template.

Wait till a mounting foam hardens then take off the mounting template and remove the foam excess.

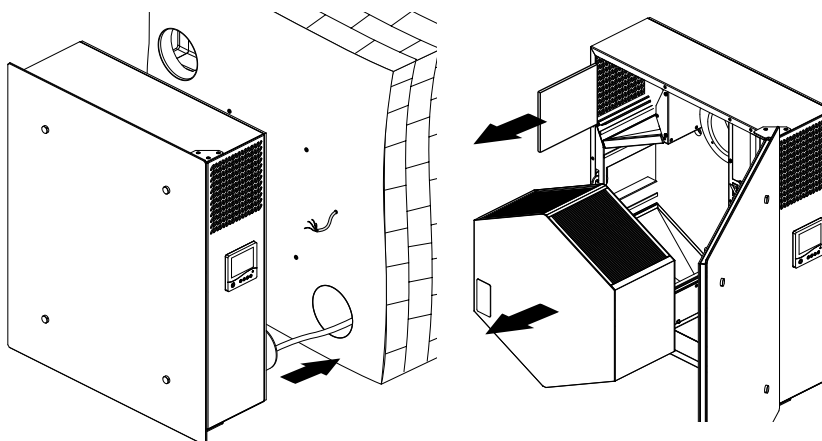
Cut off the protruding air duct parts to be flush with the wall surface.



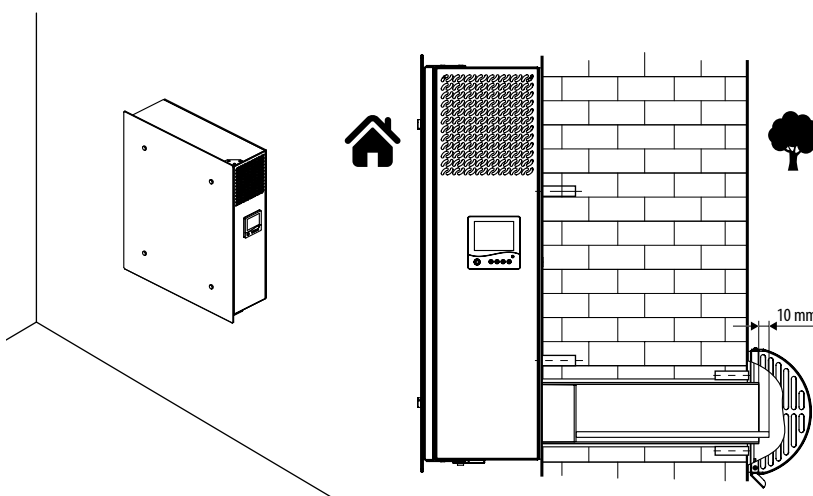
5. To install an additional extract spigot remove the plug on the rear part of the unit.
Undo the screws, remove the plug and fix a spigot on its place using screws.



6. Insert the drain pipe and unit spigots into the corresponding wall-mounted air ducts.
Open the unit door and remove the heat exchanger. Remove the magnetic plug from the exhaust grille if an additional extract spigot is not installed.



7. Fix the unit on the wall using the supplied screws and expansion anchors.
Install the heat exchanger back and close the unit door.
Cut a part of the drain pipe protruding outside to a length not more than 10 mm.
Fix the outer hood on the outer wall of the building (see the ventilation hood installation manual).



CONNECTION TO POWER MAINS



**DISCONNECT THE UNIT FROM POWER MAINS PRIOR TO ANY OPERATIONS.
THE UNIT MUST BE CONNECTED TO POWER MAINS BY A QUALIFIED ELECTRICIAN.
THE RATED ELECTRICAL PARAMETERS OF THE UNIT ARE SHOWN ON THE RATING
PLATE.**



**ANY TAMPERING WITH THE INTERNAL CONNECTIONS IS PROHIBITED AND WILL VOID
THE WARRANTY.**

The unit is rated for connection to single-phase AC mains 110-230 V / 50 (60) Hz.

Connect the unit to power mains using the pre-wired power cord with the Euro Plug **XP**.

Connect the unit to power mains through the external automatic circuit breaker **QF** with a magnetic trip. The position of the **QF** external automatic circuit breaker must ensure free access for quick power-off of the unit. The circuit breaker trip current must correspond to the unit current consumption, refer to the Technical data section. When selecting an automatic circuit breaker it is necessary to consider maximum permissible wire heating which depends on the wire type, its insulation, length and installation method (i.e. overhead, in cable ducts or inside the walls).

Connection of additional external controls

Additionally connected external controls are not included in the delivery set and must be ordered separately. Connection of additional external control contacts are shown in the wiring diagram (dashed).

Additionally connected external controls are not included in the scope of delivery.

Connection of additional external control contacts is implemented in the control unit. For accessing the control unit open the unit door, release the screws fixing the shielding and remove it.

Connection of the automatic fire fighting system contact (PK).

Upon connecting the automatic fire fighting system contact remove the jumper between the terminals 5 and 6.

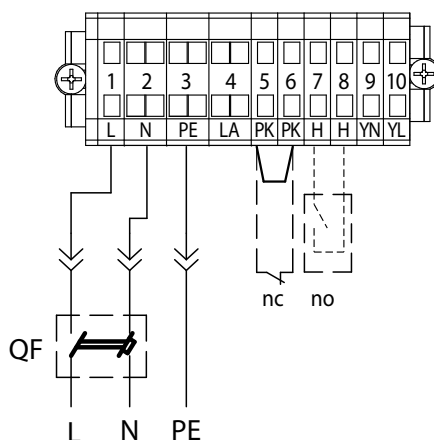
Remove the jumper between the terminals 5 and 6.

In this case the connection is made using a normally closed dry contact that breaks the control circuit and cuts off power supply to the unit on the signal from the fire alarm panel.

Connection of the external control unit contact (H).

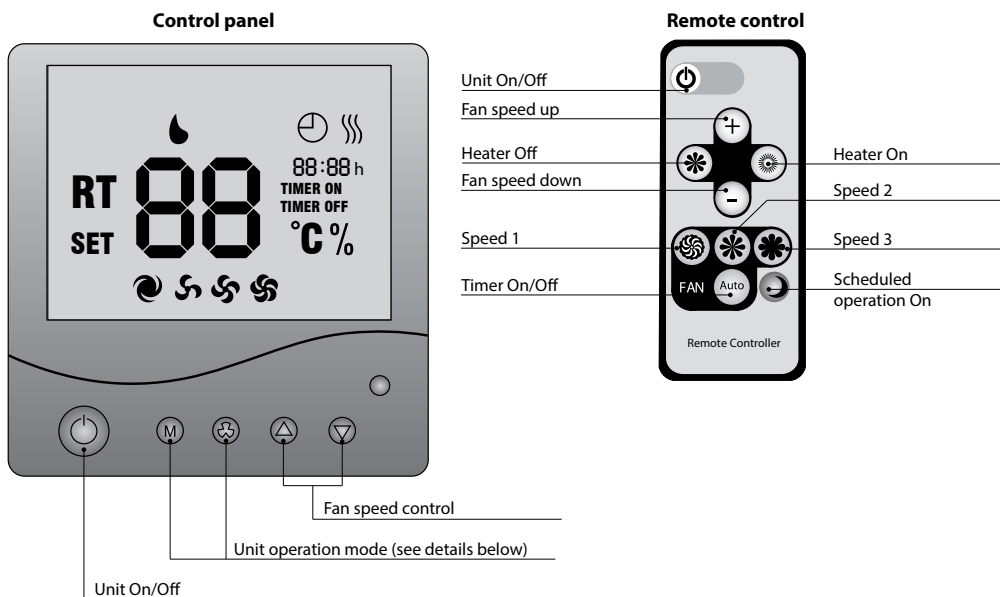
The unit design enables connecting a normally opened contact (NO-contact) of external controls, such as an external CO₂ sensor, a humidity sensor, a switch etc. The contact is connected to the terminals 7 and 8.

When the contact closes the unit switches to maximum speed.



UNIT CONTROL

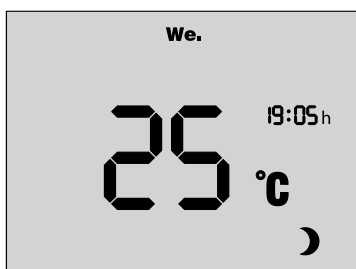
The unit is controlled by means of the control panel on the unit casing and of the remote control.



1. Unit On/Off

Unit activation/deactivation:

- by means of the Unit On/Off button from the control panel
- by means of the Unit On/Off button from the remote control.



When the unit is off the control panel display indicates:

- Room temperature
- Day of the week
- Time
- Off mode indication
- The **TIMER ON** and indicators glow in the Heater Cooling mode. Synchronously the heater cooling countdown is displayed in min: sec.



When the unit is switched on the control panel display indicates:

- Room temperature
- Day of the week
- Time
- Fan speed status
- Timer status
- The indicator **TIMER ON** lights up when the timer is on
- The indicator **TIMER OFF** lights up when the timer is off
- Heater status information. The indicator lights up when the heater is on.

2. Control of operating modes.






Fan speed control:

- From the control panel: press to increase the speed or to reduce the unit speed (low speed - medium speed - high speed).
- From the remote control: press to increase speed or to reduce speed (low speed - medium speed - high speed).
- From the remote control: press to set low speed, to set medium speed and to set high speed.
- The control panel displays the current fan speed:
- indicator – low speed
- indicator – medium speed
- indicator – high speed

3. Timer.






The timer is designed to switch the fans to maximum speed with subsequent automatic reset to a previous speed after a set time period, from 20 to 60 minutes.

To turn the timer on/off:

- From the control panel: press and hold , then press . Press the button once to set the timer for 20 minutes, each subsequent pressing extends the timer setting for 10 minutes. The maximum timer setting is 60 minutes. Press and hold  for 3 seconds to turn the timer off.
- From the remote control: press  to turn the timer on for 20 minutes. To turn the timer off switch off the unit by pressing .

4. Supply air post-heating.

The unit equipped with an electric heater provides supply air post-heating during the cold season. The heater turns on/off automatically if the intake air temperature is below/above the set value. To turn on/off the supply air preheater automatically:

- press and hold the  button on the control panel, then press   to turn on/off the heater.
- press  to turn the heater on and  to turn it off.

WARNING! IF THE HEATER WAS ON DURING THE UNIT SHUTDOWN THE FANS CONTINUE RUNNING TO COOL DOWN THE HEATER. THE INDICATOR  LIGHTS UP. SHUTDOWN TIME OF FANS IS 0.5-2 MINUTES DEPENDING ON THE UNIT MODEL.

5. Freeze protection of the heat exchanger.

| Unit without a heater | Unit with a post-heater | Unit with a pre-heater |
|--|-------------------------|---|
| If the exhaust air temperature downstream of the heat exchanger is below +5 °C (factory setting), the supply fan runs 25 % of the maximum speed and the extract fan runs at maximum speed. When the temperature exceeds +5 °C the unit reverts to the previous operating mode. | | When the intake air temperature is below -3 °C the heater automatically warms up intake air so the average exhaust air temperature downstream of the heat exchanger is not below +5 °C. |

6. Unit parameter settings.

WARNING!












**CHANGING THE UNIT SETTINGS RESULTS IN LOSS OF THE FACTORY SETTINGS!
FAN SPEED ADJUSTMENT IS POSSIBLE ONLY FROM THE CONTROL PANEL!**




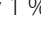



Fan Speed Setting mode.


During the unit setup the capacity of low, medium and high speed can be continuously adjusted. To enter the Fan Capacity Adjustment mode turn the unit off. Then press and hold  on the control panel and hold  pressed for 3 seconds.



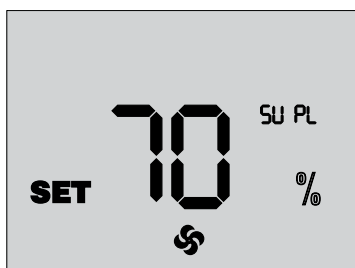
Access to the Fan Capacity Adjustment mode is confirmed by the **SET** and **%** indicators on the control panel display.

- To select the required speed to be adjusted use  and .
- When selecting the adjustable speed the selected speed is displayed by the indications ,  or .
- To adjust the supply fan capacity press and hold  and then press  to set the fan speed up or  to set it down. Each pressing of  and  increases or reduces the supply fan speed by 1 %. If  is pressed the display indicators show the current supply fan speed.

- To adjust the extract fan capacity press and hold . While holding  adjust the speed by pressing  for setting speed up and  for setting speed down. Each pressing of  and  increases or reduces the extract fan speed by 1 %. If  is pressed the display indicators show the current extract fan speed.

To exit the Fan Speed Setting mode and save the changes press .

Fan speed adjustment is not possible with the remote control.



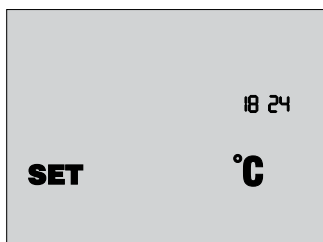
To restore factory settings enter the Fan Speed Setting mode, synchronously press and hold and for 3 seconds.

Fan speed factory settings:

- low speed – 30 %
- medium speed – 60 %
- high speed – 100 %

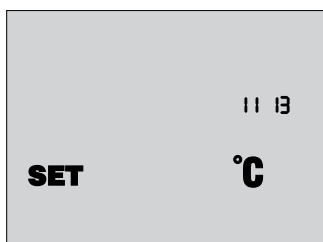
7. Viewing the temperature sensor readings.

To enter the Sensor Readings View mode turn the unit off. Then press and on the control panel simultaneously and hold them down at least 3 seconds.



The indicators **SET** and **°C** light up in the Sensor Readings View mode.

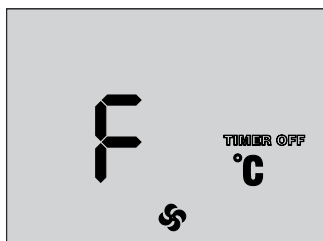
- To view the current temperature sensor readings press and hold .



- Press to view the controller board model code and software version code on the control panel display.
- To exit the Sensor Adjustment mode press .

8. Filter replacement indication.

On the expiry of filter service life (3,000 hours) the operating mode temperature normally shown on the control panel display is replaced by **F** indicating the need to replace the filters.



- When the filter replacement indicator **F** is active switch off the unit by pressing and disconnect it from power supply. Then replace the filters (see the sequence in the «Technical Maintenance» section).
- Then switch on the unit by pressing on the control panel or on the remote control. Then press and simultaneously to reset the hour meter.

9. Date/time setting.

- Turn the unit off.
- To enter the Date/Time Setting mode press and hold then press on the control panel.
- While holding down select the parameter for adjustment by pressing and . The adjusted parameter is blinking.
The date/time setting parameters are arranged in the following order:
 1. Minute
 2. Hour
 3. Day of the week
 4. Date
 5. Month
 6. Year
- Set the desired value of the selected parameter by pressing and on the control panel.
- To exit Date/Time Setting mode press .

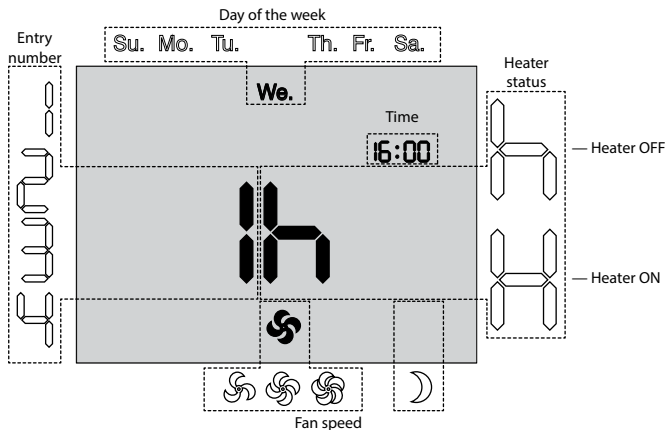
10. Scheduled Operation mode.

- Press and hold , then press on the control panel to activate the Scheduled Operation mode. The indicator lights up when the Scheduled Operation mode is activated.
- Press and hold , then press on the control panel to deactivate the Scheduled Operation mode.
- From the remote control the Scheduled Operation mode is activated/deactivated by pressing .
- Timer control has higher priority than scheduled operation.

11. Scheduled Operation mode setting.

Each day of the week has four entries. Time of switching the unit to the set speed and turning the heater on or off can be set for each entry.

- To enter the Scheduled Operation mode settings turn the unit off by pressing on the control panel or on the remote control.
- Press and hold on the control panel and the press .



- Press and hold for selecting the scheduled operation parameters and select the desired parameter using and .
- Set the desired value by pressing and .

Scheduled operation parameters:

Entry number - each day of the week has four entries

Day of the week - setting a day of the week

Heater status - setting the heater status for the current entry: **H** – heater on, **h** – heater off

Fan speed - setting the fan speed for the current entry: – low speed, – medium speed, – high speed, – off

Time – setting time for the current entry.

- To copy the set entries for the next day press and hold and press . No copying from Sunday to Monday is possible.
- Press on the control panel or on the remote control to exit the Scheduled Operation Setting mode.

Scheduled operation programming example

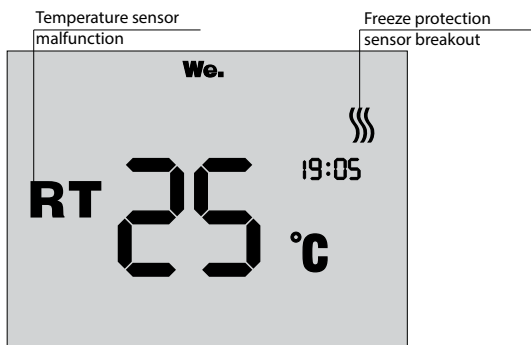
By default, the Scheduled Operation mode is set for the warm seasons.

When selecting this mode for the cold seasons set the heater status **H**.

| Day of the week | Entry number | | | | | | | | | | | |
|-----------------|--------------|--------------|---------------|------------|--------------|---------------|------------|--------------|---------------|------------|-----------|---------------|
| | 1 | | | 2 | | | 3 | | | 4 | | |
| | Start time | Mode | Heater status | Start time | Mode | Heater status | Start time | Mode | Heater status | Start time | Mode | Heater status |
| Mo. | 07:00 | medium speed | OFF | 08:00 | low speed | OFF | 17:00 | medium speed | OFF | 22:00 | low speed | OFF |
| Tu. | 07:00 | medium speed | OFF | 08:00 | low speed | OFF | 17:00 | medium speed | OFF | 22:00 | low speed | OFF |
| We. | 07:00 | medium speed | OFF | 08:00 | low speed | OFF | 17:00 | medium speed | OFF | 22:00 | low speed | OFF |
| Th. | 07:00 | medium speed | OFF | 08:00 | low speed | OFF | 17:00 | medium speed | OFF | 22:00 | low speed | OFF |
| Fr. | 07:00 | medium speed | OFF | 08:00 | low speed | OFF | 17:00 | medium speed | OFF | 22:00 | low speed | OFF |
| Sa. | 10:00 | medium speed | OFF | 12:00 | medium speed | OFF | 17:00 | medium speed | OFF | 23:00 | low speed | OFF |
| Su. | 10:00 | medium speed | OFF | 12:00 | medium speed | OFF | 17:00 | medium speed | OFF | 23:00 | low speed | OFF |

12. Alarms.

In case of alarm the unit is turned off and the alarm indicators are displayed on the control panel.



| ALARM | INDICATION | TROUBLESHOOTING |
|--|-------------|---|
| Outdoor temperature sensor malfunction | RT | Contact the Seller for further information. |
| Freeze protection sensor breakout | RT ≡ | Contact the Seller for further information. |

TECHNICAL MAINTENANCE



DISCONNECT THE UNIT FROM POWER SUPPLY BEFORE ANY MAINTENANCE OPERATIONS!

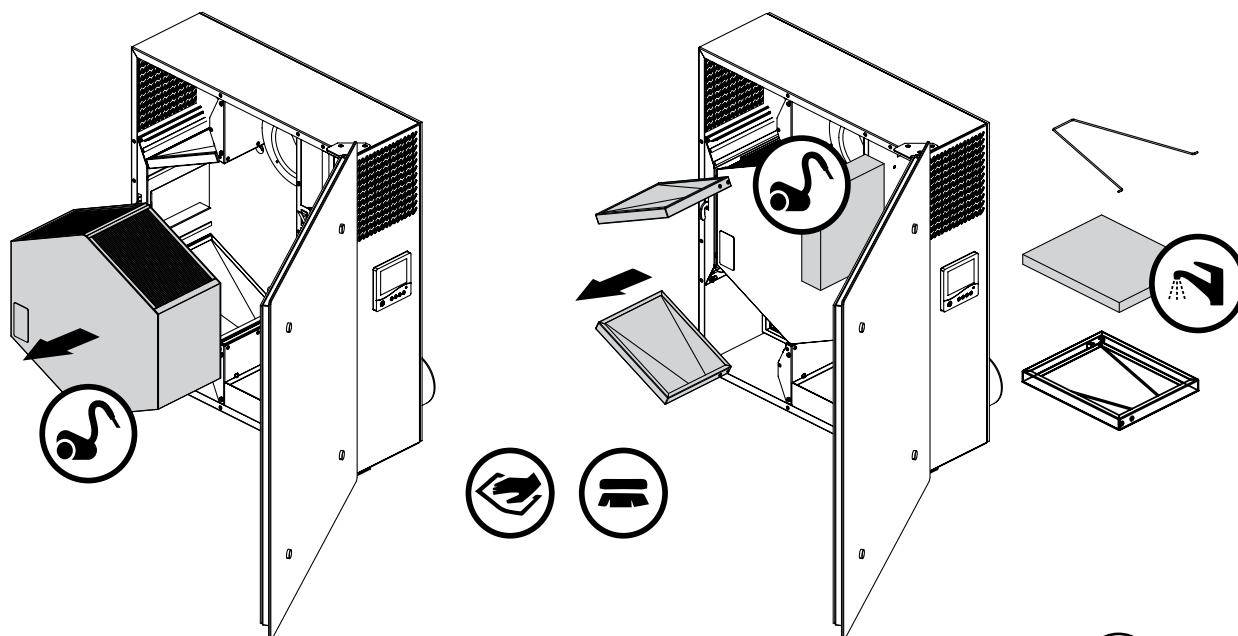
Maintenance operations of the unit are required 3–4 times per year. Maintenance includes periodic dust removal from surfaces, cleaning and replacement of filters and dry cleaning of fans. Maintenance includes general cleaning of the unit and the following operations:

1. Filter maintenance (3–4 times per year).

Dirty filters increase air resistance in the system and reduce supply air volume. The filters require cleaning not less than 3–4 times per year. Remove the clogged filters from the unit. Clean the F8 filter with a vacuum cleaner. To remove the G4 filters for cleaning remove the flexible clamps fixing them and pull the filters until they slide off the guides. Clean the filters with water and let them dry. After complete drying reassemble the filters in the reverse order. Install the filters back to the unit. After two consecutive cleaning filters must be replaced. For new filters contact the Seller.

2. Heat exchanger maintenance (once a year).

Some dust may accumulate on the heat exchanger block even in case of regular maintenance of the filters. To maintain the high heat recovery efficiency, regular cleaning is required. Periodical dry cleaning is recommended. Use a vacuum cleaner with a narrow nozzle. Remove the clogged heat exchanger out of the unit, clean it with a vacuum cleaner and install the heat exchanger back to the unit.



3. Fan maintenance (once a year).

Even in case of regular maintenance of the filters, some dust may accumulate inside the fans and reduce the fan performance and supply air flow.

Clean the fan with a cloth or a soft brush. Do not use water, aggressive solvents or sharp objects as they may damage the impeller.

4. Technical maintenance of the supply grille (twice a year).

The supply grille may get clogged with leaves and other objects which may reduce the unit performance. Check the supply grille twice per year and clean it as required.

5. Technical maintenance of air duct system (every 5 years).

Even regular fulfilling of all the maintenance operations described above may not completely prevent dirt accumulation in the air ducts which reduces the unit capacity. Duct maintenance means regular cleaning or replacement.

TROUBLESHOOTING

| PROBLEM | POSSIBLE REASONS | TROUBLESHOOTING |
|-----------------------------|---|--|
| The fan(s) do(es) not start | No power supply. | Make sure the power supply line is connected correctly, otherwise troubleshoot a connection error. |
| Cold supply air | Extract filter clogging. | Clean or replace the extract filter. |
| | Heat exchanger icing. | Check the heat exchanger for icing. Stop the unit operation if necessary and wait until the ice melts. |
| | Heater malfunction. | Contact the Seller. |
| Low air flow | The filters, the fans or the heat exchanger is clogged. | Clean or replace the filters, clean the fans and the heat exchanger. |
| | The ventilation system is clogged or damaged. | Check for unobstructed opening of diffusers and louver shutters, check the exhaust hood and the supply grille and clean those, if necessary. Make sure the air ducts are clean and intact. |
| Noise, vibration | The fan impellers are clogged. | Clean the impellers. |
| | The screw connection is loose. | Tighten the fastening screws. |
| Water leakage | The drain pipe is clogged. | Contact the Seller. |

STORAGE AND TRANSPORTATION REGULATIONS

- Store the unit in the manufacturer's original packaging box in a dry closed ventilated premise with temperature range from +5 °C to +40 °C .
- Storage environment must not contain aggressive vapours and chemical mixtures provoking corrosion, insulation, and sealing deformation.
- Use suitable hoist machinery for handling and storage operations to prevent possible damage to the unit.
- Follow the handling requirements applicable for the particular type of cargo.
- The unit can be carried in the original packaging by any mode of transport provided proper protection against precipitation and mechanical damage. The unit can be transported only in the working position.
- Avoid sharp blows, scratches, or rough handling during loading and unloading.
- Prior to the initial power-up after transportation at low temperatures allow the unit to warm up at room temperature for at least 3-4 hours.

MANUFACTURER'S WARRANTY

The product is in compliance with EU norms and standards on low voltage guidelines and electromagnetic compatibility. We hereby declare that the product complies with the provisions of Electromagnetic Council Directive 2014/30/EU, Low Voltage Directive 2014/35/EU and CE-marking Directive 93/68/EEC. This certificate is issued following test carried out on samples of the product referred to above. The manufacturer hereby warrants normal operation of the unit for 24 months after the retail sale date provided the user's observance of the transportation, storage, installation, and operation regulations.

Should any malfunctions occur in the course of the unit operation through the Manufacturer's fault during the guaranteed period of operation, the user is entitled to get all the faults eliminated by the manufacturer by means of warranty repair at the factory free of charge. The warranty repair includes work specific to elimination of faults in the unit operation to ensure its intended use by the user within the guaranteed period of operation.

The faults are eliminated by means of replacement or repair of the unit components or a specific part of such unit component.

The warranty repair does not include:

- routine technical maintenance
- unit installation / dismantling
- unit setup

To benefit from warranty repair, the user must provide the unit, the user's manual with the purchase date stamp, and the payment paperwork certifying the purchase.

The unit model must comply with the one stated in the user's manual.

Contact the Seller for warranty service.

The manufacturer's warranty does not apply to the following cases:

- User's failure to submit the unit with the entire delivery package as stated in the user's manual including submission with missing component parts previously dismantled by the user.
- Mismatch of the unit model and the brand name with the information stated on the unit packaging and in the user's manual.
- User's failure to ensure timely technical maintenance of the unit.
- External damage to the unit casing (excluding external modifications as required for installation) and internal components caused by the user.
- Redesign or engineering changes to the unit.
- Replacement and use of any assemblies, parts and components not approved by the manufacturer.
- Unit misuse.
- Violation of the unit installation regulations by the user.
- Violation of the unit control regulations by the user.
- Unit connection to power mains with a voltage different from the one stated in the user's manual.
- Unit breakdown due to voltage surges in power mains.
- Discretionary repair of the unit by the user.
- Unit repair by any persons without the manufacturer's authorization.
- Expiration of the unit warranty period.
- Violation of the unit transportation regulations by the user.
- Violation of the unit storage regulations by the user.
- Wrongful actions against the unit committed by third parties.
- Unit breakdown due to circumstances of insuperable force (fire, flood, earthquake, war, hostilities of any kind, blockades).
- Missing seals if provided by the user's manual.
- Failure to submit the user's manual with the unit purchase date stamp.
- Missing payment paperwork certifying the unit purchase.



FOLLOWING THE REGULATIONS STIPULATED HEREIN WILL ENSURE A LONG AND TROUBLE-FREE OPERATION OF THE UNIT.



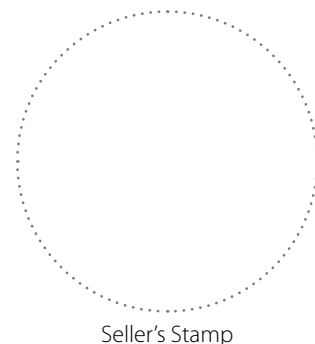
USERS' WARRANTY CLAIMS SHALL BE SUBJECT TO REVIEW ONLY UPON PRESENTATION OF THE UNIT, THE PAYMENT DOCUMENT AND THE USER'S MANUAL WITH THE PURCHASE DATE STAMP.

CERTIFICATE OF ACCEPTANCE

| | |
|----------------------------------|---------------------------------|
| Unit Type | Heat recovery air handling unit |
| Model | Freshbox 100 |
| Serial Number | |
| Manufacture Date | |
| Quality Inspector's Stamp | |

SELLER INFORMATION

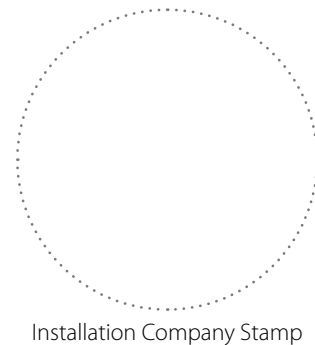
| | |
|---|--|
| Seller | |
| Address | |
| Phone Number | |
| E-mail | |
| Purchase Date | |
| This is to certify acceptance of the complete unit delivery with the user's manual. The warranty terms are acknowledged and accepted. | |
| Customer's Signature | |



INSTALLATION CERTIFICATE

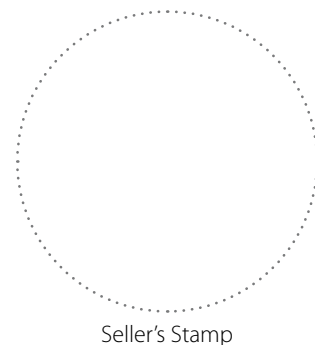
The Freshbox 100 unit has been connected to power mains pursuant to the requirements stated in the present user's manual.

| | |
|--|-------------------|
| Seller | |
| Address | |
| Phone Number | |
| Installation Technician's Full Name | |
| Installation Date: | Signature: |
| The unit has been installed in accordance with the provisions of all the applicable local and national construction, electrical and technical codes and standards. The unit operates normally as intended by the manufacturer. | |
| Signature: | |



WARRANTY CARD

| | |
|-------------------------|---------------------------------|
| Unit Type | Heat recovery air handling unit |
| Model | Freshbox 100 |
| Serial Number | |
| Manufacture Date | |
| Purchase Date | |
| Warranty Period | |
| Seller | |





BLAUBERG
Ventilatoren

